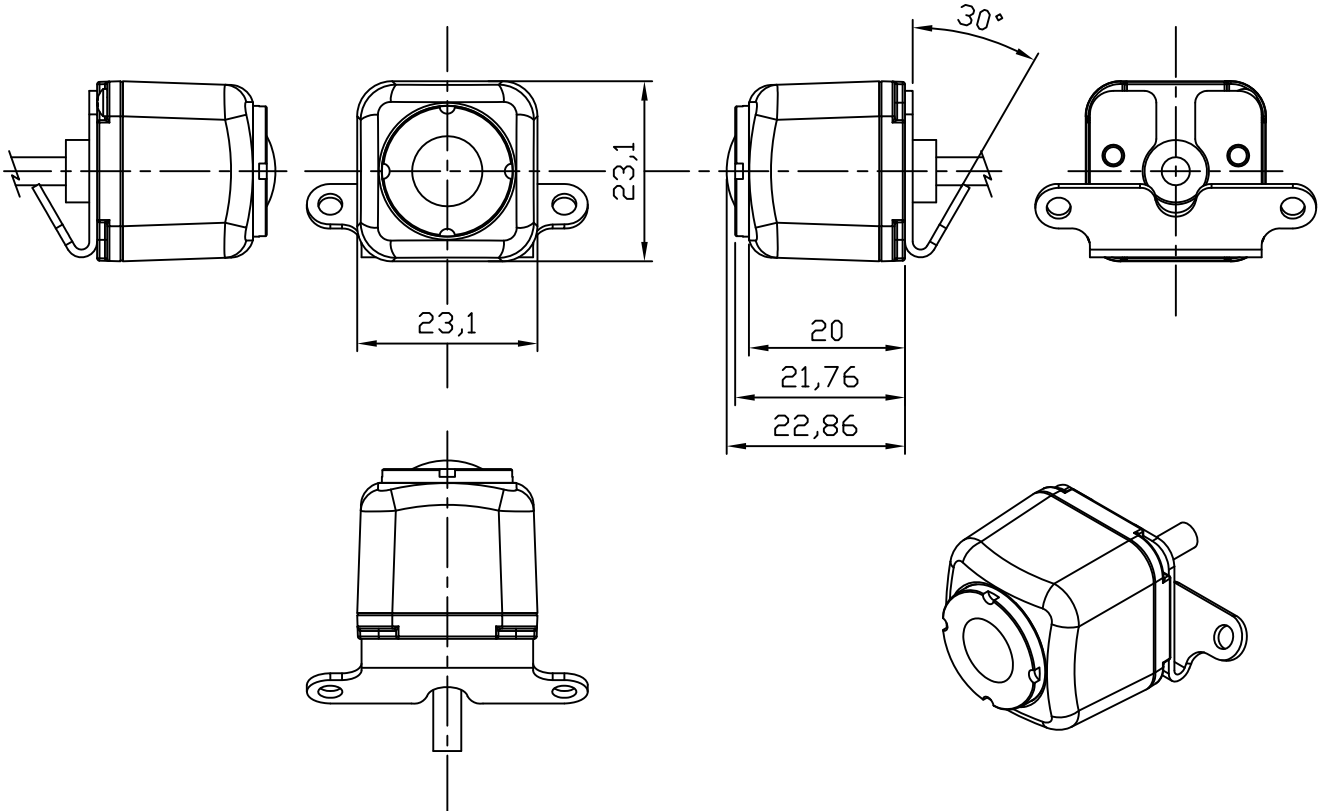
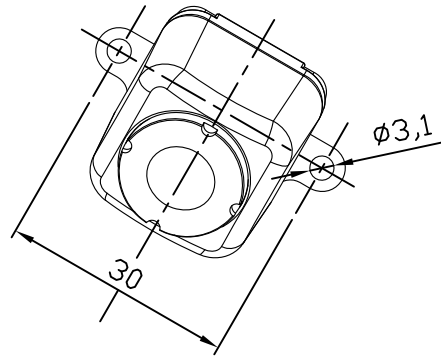
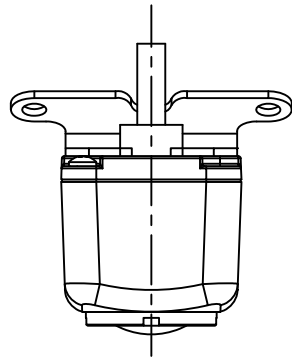


LENGTH	~6	6~30	30~80	80~160	160 ~220	220 ~320	320 ~1100	1100~	ANGLE(°)
A	±0.05	±0.08	±0.1	±0.15	±0.2	±0.25	±0.3	±0.4	±0.2
B	±0.08	±0.1	±0.15	±0.2	±0.25	±0.3	±0.35	±0.5	±0.3
C	±0.15	±0.2	±0.25	±0.3	±0.35	±0.4	±0.5	±0.8	±0.4
MARK	REVISIONS					DESIGNED	CHECKED	APPROVED	
①									
②									



NO.	DESCRIPTION	Q'TY	MATERIAL	FINISH	REMARK
3RD ANGLE PROJECTION	UNIT	SCALE	MODEL NO.	CC-4515	
	M/M	1 / 1	PART NAME	OUT LINE	
DESIGNED	CHECKED	APPROVED	DRAWING NO.		
	JY KIM		CAMOS COMPANY LIMITED		
	2015.06.17				